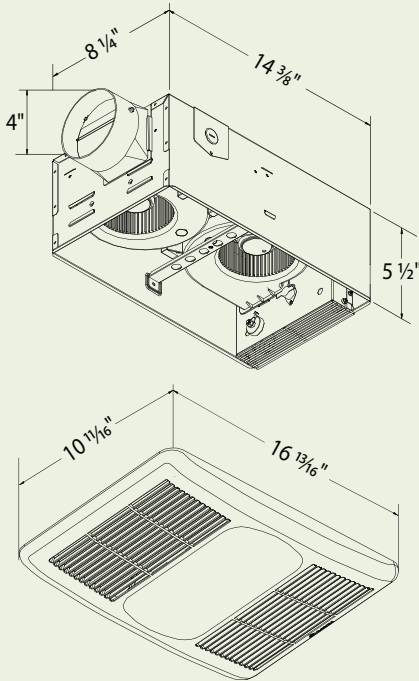




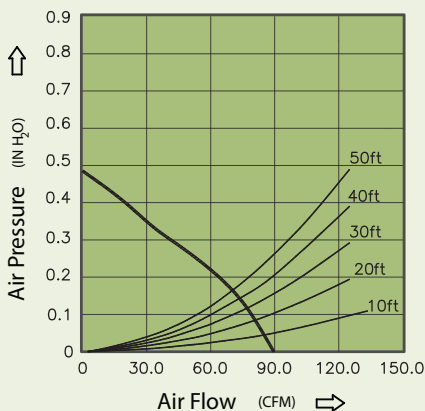
Delta BreezRadiance Ventilation Fan/Light with Heater Specifications

RAD80L
(80 CFM)

Dimensions



Fan Curve



Description

Low noise ceiling mount ventilating fan, light, and heat. cUL listed and Home Ventilating Institute (HVI) certified.

Motor/Blower

- Power rating of 120 volts/60Hz
- DC brushless motor engineered to run continuously
- Motor equipped with thermal cutoff fuse
- Removable with permanently lubricated plug-in motor
- Built-in soft start function to increase bearings' life
- Automatically powers OFF when impeller is locked abnormally

Housing

- Galvanized steel body
- Detachable 4" diameter plastic duct adapter
- Built-in backdraft damper
- Easy installation

Grille

- Attractive design using PBT material
- 60W maximum lamp provides bright ceiling light (not included)

Heater

- 1300W heating element conforms to cUL safety standards
- Heater module equipped with thermal cutoff fuse and thermostat

Warranty

- 3-year limited warranty

Features

- Built-in thermostat to regulate temperature
- Metal guard to prevent user contact with heating wire
- For ceiling mount only, airflow of 80 CFM ($\pm 10\%$) and 1.5 Sones at 0.1 static pressure
- Power consumption approximately 10.5 Watts with an efficiency rating approximately 7.6 CFM/Watt
- Heater module equipped with thermal cut off and thermal stat
- Duct diameter no less than 4"

DC Motor Technology

- Built-in soft start function to increase bearings' life
- Automatically powers OFF when the impeller is locked abnormally

Specifications

RAD80L	4" Duct (Standard)	
Static Pressure (inches w.g.)	0.1	0.25
Air Flow (CFM)	80	54
Sones	1.5	NA
Power Consumption (Watts)	10.5	8.2
Energy Efficiency (CFM/Watt)	7.0	6.4
Current (Amps)	12	
Power Rating (V/Hz)	120 / 60	
Heating element (Watts)	1300	
Total power (Watts)	1400	